

lagoon[®] Advanced Care

WH6-14LAG and TD6-14LAC

The ideal replacement for any dry-cleaning operation



Features and benefits



Keep customers coming back

Outstanding results for garments of every type thanks to specialized detergents and dedicated programs



Delicate on the delicates

Gentle on fine textiles and wools labelled dry-clean only, as less mechanical action. Woolmark-approved



Rapid return on investment

With a better loading factor, less prespotting, easier finishing and faster process times



Sustainable and eco-friendly

Water-based cleaning with none of the disadvantages of PERC, which can be dangerous to staff



Dry to dry in 1 hour

Smart chemicals and processes mean garments are fully dried in the dryer - no hang-dry

Main specifications				WH6-14LAG
Rated capacity, Laundry	filling factor 1:9	kg		14
	Wool filling factor 1:18	kg		7
	Silk filling factor 1:18	kg		7
Drum, volume		litre		130
	diameter	∅ mm		650
Extraction G-factor		rpm		1115
Heating alternative	electricity	kW		13.0
Consumption data "lagoon"				
Total time	Wool High	min		21
	Wool Medium	min		22
	Silk	min		16
	Synth. mix Medium	min		19
	Synth. mix Low	min		16
	Curtains	min		19
Water consumption (cold+hot)				
	Wool High	litre		68
	Wool Medium	litre		66
	Silk	litre		58
	Synth. mix Medium	litre		62
	Synth. mix Low	litre		58
	Curtains	litre		72
Energy consumption (motor/heating/water)				
	Wool High	kWh		0.85
	Wool Medium	kWh		0.85
	Silk	kWh		0.40
	Synth. mix Medium	kWh		0.80
	Synth. mix Low	kWh		0.70
	Curtains	kWh		0.45
Consumption data ECO 60 1:9*				
Total time		min		65
Water consumption (cold+hot)		litre		86+5
Energy consumption (motor/heating/hot water)		kWh		0.3/1.75/0.25
Residual moisture		%		45

* Water temperature 15°C cold water and 65°C hot water.

Main specifications				TD6-14LAC			
Rated capacity, Drying	filling factor 1:18	kg		14.2			
Drum, volume		litre		255			
	diameter	∅ mm		755			
Heating alternative	electricity	kW		13.5			
	gas	BTU/h (kW)		13.5			
	steam at 700 kPa			15.0			
	heat pump	kW		6.5			
Consumption data "lagoon"				El	Gas	Steam	Heat pump
Total time	Wool High*	min		23	25	25	25
	Wool Medium*	min		20	22	22	22
	Synthetic mix**	min		13	15	14	23
Consumption data***							
Total time		min		25.6	27.9	27.1	35.2
Energy consumption (motor/heating/hot water)		kWh		5.8	6.5	6.8	2.05
Evaporation		g/min		226	208	214	165
Energy/Water evaporation		kWh/l		1.00	1.12	1.17	0.35

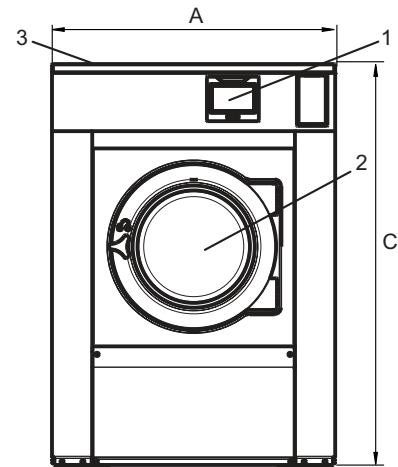
* 1:30 load 100% wool load at 30% initial moisture dried to 0%.
 ** 1:40 load 100% synthetic load at 20% initial moisture dried to 0%.
 *** At rated capacity 100% cotton load at 50% initial moisture dried to 0%.

Electrical connections					
Heating alternative	Main voltage		Heating power kW	Total power kW	Recommended fuse A
		Hz			
Electric heated	220-240V 1/1N -	50/60	4.8/13.0	5.2/13.4	25/63
	220-240V 3 -	50/60	4.8/13.0	5.2/13.4	16/35
	380-415V 3N/3 -	50/60	4.8/13.0	5.2/13.4	10/20
	440V 3 -	50/60	13.0	13.4	20
	480V 3 -	60	13.0	13.4	20
Steam or Non heated	208-240V 1/1N -	50/60	*	1.2	10
	380-480V 1 - (**)	50/60	*	1.2	10

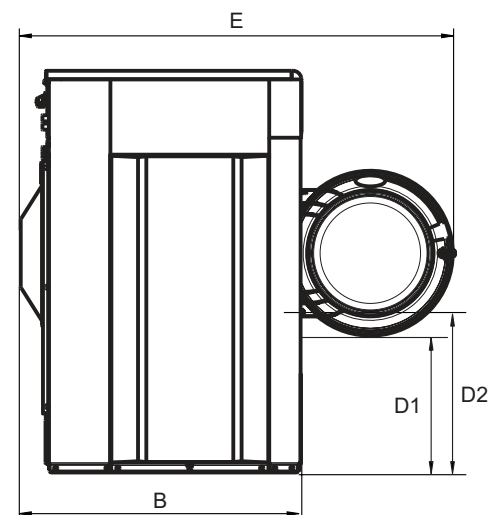
* Total power and recommended fuse does not depend on the heating power in those cases.

** Prepared for 3 -.

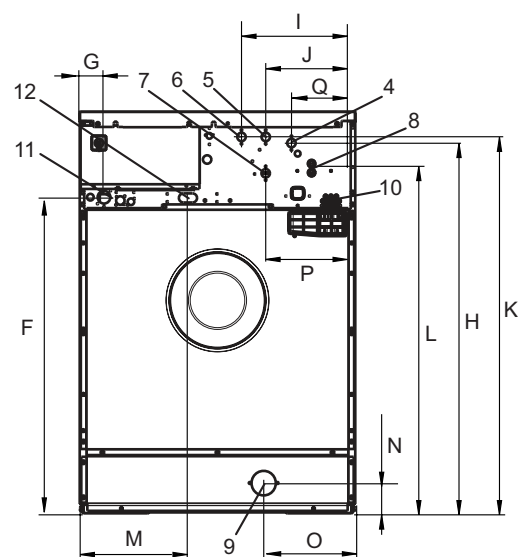
Water and steam connection		WH6-14LAG
Water valves	DN	20
Water pressure	kPa	200-600
Capacity at 300 kPa	l/min	20
Drain valve	ø mm	75
Draining capacity	l/min	170
Steam valve	DN	15
Steam pressure	kPa	300-600
Liquid detergent supplies		5
Floor requirements		
Frequency of the dynamic force	Hz	18.6
Floor load at max extraction	kN	3.1 ± 0.5
Sound levels		
Sound power/pressure level at extraction*	dB(A)	78/62
Sound power/pressure level at wash*	dB(A)	63/48
Heat emission		
% of installed power, max		5
Shipping data**		
Weight	net, kg	263
Shipping volume	m ³	1.37
Accessories		
Steel base		x
Hose kits for water or steam		x
Fluff collector		x
Dimensions in mm		
A	Width	910
B	Depth	820
C	Height	1325
D1		430
D2		490
E		1340
F		1045
G		80
H		1245
I		380
J		300
K		1205
L		1125
M		360
N		100
O		305
P		340
Q		215
1	Display	7 Cold/Hot water or Re-used water with network pressure (option)
2	Door opening ø 395 mm	8 Re-used water from tank/pump or Liquid detergent supply
3	Detergent box	9 Drain
4	Cold/Hot water (Detergent box)	10 Liquid detergent supply
5	Cold water	11 Electrical connection
6	Hot water	12 Steam connection



Front



Side view



Rear

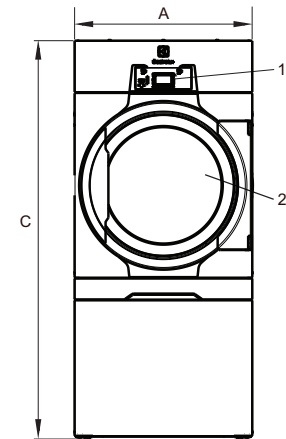
* Sound power levels measured according to ISO 60704.

** Average data. Crated weight/shipping volume depends on configuration. Please contact logistics for exact measures.

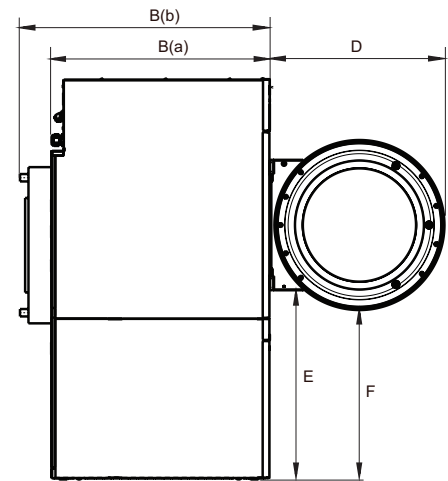
Electrical connections					
Heating alternative	Main voltage		Heating power kW	Total power kW	Recommended fuse A
		Hz			
Electric heated	220-230V 3 ~	50/60	13.5	14.5	50
	240V 3 ~	50/60	13.5	14.5	32
	380-415V 3N ~	50/60	13.5	14.5	25
	440V 3 ~	50/60	13.5	14.5	20
	480V 3 ~	60	13.5	14.5	20
Gas heated/ Steam heated	220-240V 1 ~	50/60	*	1.2	10
	220-240V 3 ~	50/60	*	1.0	10
	380-415V 3N ~	50/60	*	1.0	10
	440V 3 ~	50/60	*	1.0	10
	480V 3 ~	60	*	1.0	10

* Total power and recommended fuse does not depend on the heating power in those cases.

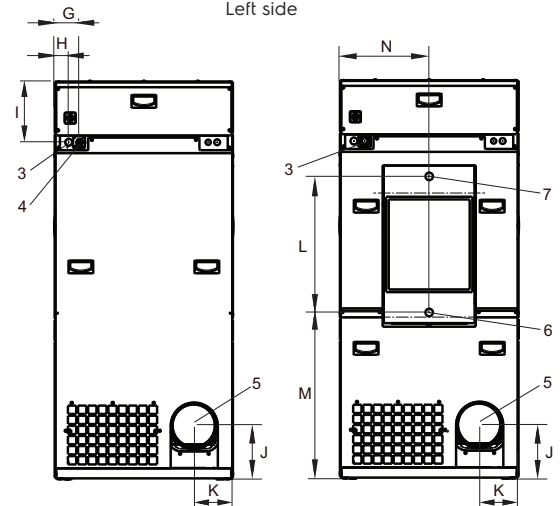
Steam, gas and air connections			TD6-14LAC
Steam	ISO 7/1-R		1"
Steam pressure	kPa		100-1000
Steam consumption	kg/h		25
Condensate	ISO 7/1-R		1"
Gas	ISO 7/1-R		1/2"
Gas pressure	Natural gas	Pa	2000
		mbar	20
	Propane	Pa	2800-5000
		mbar	28-50
Air outlet		ø mm	200
Evacuated air,	el 13.5 kW gas 13.5 kW steam 15.0 kW	m ³ /h	360
			420
			650
Pressure drop	el 13.5 kW gas 13.5 kW steam 15.0 kW	Max. Pa	650
			650
			650
Sound levels			
Sound power/pressure level at drying*		dB(A)	72/56
Heat emission			
% of installed power, max		15	
Shipping data**			
Weight	kg	222	
Shipping volume	crated, m ³	1.70	
Dimensions in mm			
A	Width	790	
B(a)	Depth, el and gas	965	
B(b)	Depth, steam	1105	
C	Height	1770	
D		775	
E		835	
F		750	
G		110	
H		60	
I		270	
J		240	
K		175	
L		605	
M		740	
N		395	
1	Operating panel		
2	Door opening ø 580 mm		
3	Electrical connection on gas heated machines		
4	Gas connection/Electrical connection on electrical heated machines		
5	Exhaust connection		
6	Condensate connection		
7	Steam connection		



Front



Left side



El, gas

Steam

Rear side

Front and side panels in silver grey and dark blue (color samples can be ordered on part number 472998313).

* Sound power levels measured according to ISO 60704.

** Average data. Crated weight/shipping volume depends on configuration. Please contact logistics for exact measures.

Electrical connections				
Heating alternative	Main voltage	Heating power kW	Total power kW	Recommended fuse A
	Hz			
Heat pump	220-240V 1/1N - 50/60	*	5.5	25
	380-415V 3/3N - 50/60	*	6.5	10

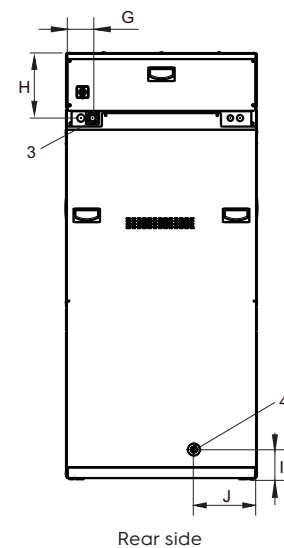
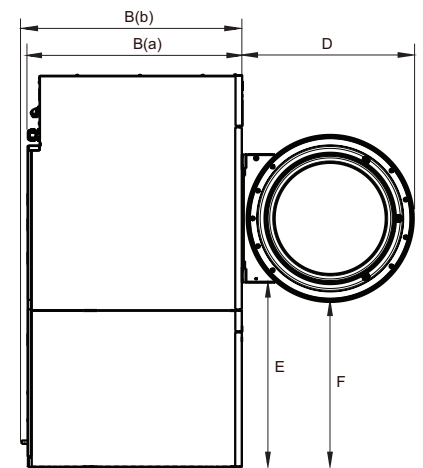
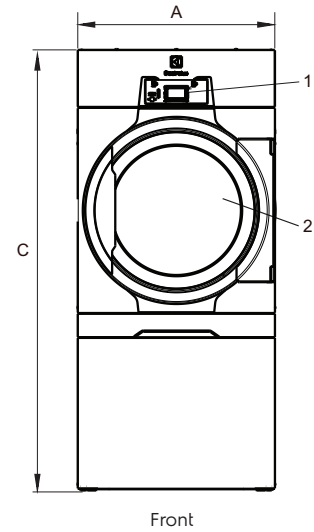
* Total power and recommended fuse does not depend on the heating power in those cases.

Sound levels	TD6-14LAC
Sound power/pressure level at drying* dB(A)	72/56
Heat emission	
% of installed power, max	15
Shipping data**	
Weight kg	275
Shipping volume crated, m ³	1.70
Dimensions in mm	
A(a) Width	790
B(a) Depth	965
B(b) Depth	990
C Height	1770
D	775
E	835
F	750
G	110
H	270
I	125
J	260
1 Operating panel	
2 Door opening \varnothing 580 mm	
3 Electrical connection	
4 Drain for condense water	

Front and side panels in silver grey and dark blue (color samples can be ordered on part number 472998313).

* Sound power levels measured according to ISO 60704.

** Average data. Crated weight/shipping volume depends on configuration. Please contact logistics for exact measures.





Jetsave PNCs	Description
988930001	Complete kit with 2 pumps, 550 ml/min
988930002	Complete kit with 3 pumps, 550 ml/min
988930003	Complete kit with 4 pumps, 550 ml/min
988930004	Complete kit with 5 pumps, 550 ml/min

Accessories PNCs	Description
988916611	Single low level probe
432930071	Extension POWER cable (6m)
432930072	Extension DATA cable (6m)
988930031	ID interface for 3rd part party peristaltic pumps or option for Low level alarm
432930065	Joining kit

Power supply
From the washer extractor: 100-240V- 50/60 Hz / 0.1A (Max)

Water supply
Min. 1.8 bar
Max. 6 bar

Electrolux Professional name and description	Packaging 20 litres	Packaging 10 litres
W01 - lagoon Sensitive Detergent Professional detergent for natural/animal fiber	432731085	432731086
W03 - lagoon Sensitive Conditioner Professional conditioner for natural/animal fiber	432731087	432731088
W02 - lagoon Delicate Detergent Professional delicate universal detergent	432731089	432731090

For further information including spotting agents, please refer to the lagoon detergent Product Data Sheet



BASE; closed front and sides

Suitable for models: WH6-14LAG
988918771
Height: 230 mm
Material: Galvanised, silver grey painted steel
with stainless steel front panel.

BASE; "floating foundation"

Suitable for models: WH6-14LAG
988918772
Material: Galvanised, silver grey painted steel with
stainless steel front panel.
Feature: A "floating foundation" filled with
concrete eliminates noise to other parts
of the building.

